

# Edwards® 340 Series Adaptabel® AC Vibrating Bells

## PLC Compatible\*

### Features

- PLC Compatible
- 4", 6", and 10" gong sizes
- Indoor or weatherproof
- Completely assembled, all hardware supplied

### Description

AC vibrating bells produce a long continuous ringing sound. The striker continues to strike the gong in rapid-fire action as long as current is applied.

### Agency Approvals

- UL, FM and CSFM Listed

### Specifications

- Rated 400 hours at 50% duty cycle
- Self compensating solenoid plunger
- Shockproof die cast housing
- Dustproof
- Corrosion resistant heat flowed epoxy finish

### Installation

Universal Adaptable® mounts directly on surface or fits any single-gang box, 3 1/4" (83 mm), 3 1/2" (89 mm), or 4" (102 mm) octagon box,

or any plaster cover with mounting holes on 2 3/4" (70 mm) centers. 6" and 10" bells also mount on 4" (102 mm) square boxes. For additional detail, see AdaptaBel Installation on page 5-7 and Accessories on pg. 5-8.

### Applications

Specified for timing, scheduling, paging and general alarm applications. 4" (102 mm) sizes recommended for quiet office areas. 6" (152 mm) sizes for moderate noise level areas such as general factory areas. 10" (254 mm) sizes for loud areas such as heavy machine shops.



Cat. No. 340-6N5

Available with full cast grids and protective grilles. May be weatherproofed with the addition of a weatherproof box. See AdaptaBel Installation on page 5-7 and AdaptaBel Accessories on page 5-8 for available options.

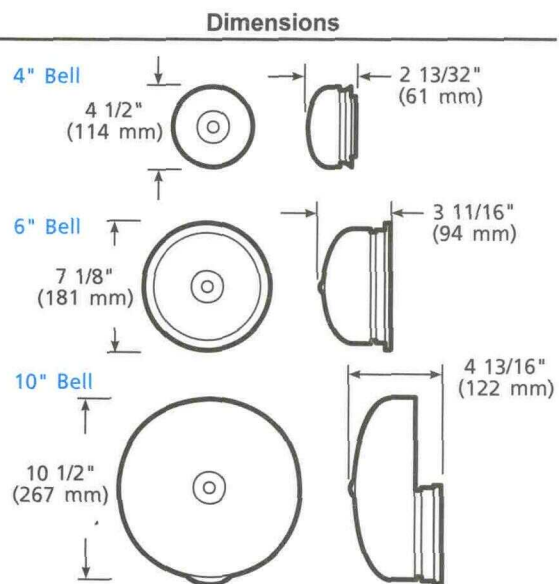
### \*PLC COMPATIBILITY

This device may be operated by PLCs that match the input load requirements of this signal. Be sure to match the input load characteristics of the signal with the output characteristics of the PLC before connecting.

### Signal Input Load Characteristics

Cat. No.	Operating voltage Volts/60 Hz	Max. off state leakage current mA	Cont. on current mA	Surge (inrush/duration) Amps/milliseconds
340-4N5	120V AC	25	62	0.095/4
340-6N5	120V AC	25	70	0.15/4
340-10N5	120V AC	25	70	0.15/4

Cat No.*	Volts	Amps	VA	dB at 10 ft.	DC Coil Res (Ohms)
340-4E5	12	0.620	7.4		13
340-4FM	16	0.460	7.4		22
340-4G5	24	0.310	7.4	88	50
340-4N5	120	0.062	7.4		1300
340-4R5	240	0.031	7.4		5000
340-6E5	12	0.700	8.4		8
340-6FM	16	0.500	8		13
340-6G5	24	0.350	8.4	92	30
340-6N5	120	0.070	8.4		700
340-6R5	240	0.035	8.4		2650
340-10G5	24	0.350	8.4	96	30
340-10N5	120	0.070	8.4		700
340-10R5	240	0.350	8.4		2650



\*Gong Size in inches denoted by suffix in catalog number.